

TADANO CARGO CRANE

MODEL: **TM-ZX1505HS**

CRANE SPECIFICATIONS

CRANE CAPACITY

15,000 kg at 2.0 m (10-part line)
8,750 kg at 3.5 m (6-part line)

BOOM

Five-sectioned, fully powered partly synchronized telescoping boom of heptagonal box construction with 4 sheaves at boom head

Fully retracted length ----- 5.3 m

Fully extended length----- 18.5 m

Extension speed -----13.2 m in 36 s

Elevation ----- Elevated by two double-acting
Hydraulic cylinders

Boom raising speed ----- 0° to 78° in 26 s

WINCH

Hydraulic motor driven Spur gear speed reduction, provided with mechanical brake and cable follower

Single line pull ----- 14.72 kN {1,500 kgf}

Single line speed ----- 62 m/min (at 4th layer)

Wire rope

Diameter x length ----- 10 mm x 107 m

Breaking strength ----- 73.5 kN {7,500 kgf}

Construction ----- 7 x 7 + 6 x Fi (29)

Hook block -----9,000kg capacity, 3sheaves (110kg)

HOOK STOWING DEVICE

Mechanically stowed beneath boom top portion

SLEWING

Hydraulic motor driven Worm gear speed reduction

Continuous 360° full circle slewing on ball bearing slew ring

Automatic slewing lock

Slewing speed ----- 1.5 min⁻¹ {rpm}

Specifications are subject to change without notice.

OUTRIGGERS

Hydraulically operated beams and jacks

Integral with crane frame

Extended width ----- Min. 2,260 mm center to center
 (2,460 mm outer to outer)
 Mid. 4,000 mm center to center
 (4,200 mm outer to outer)
 Max. 5,800 mm center to center
 (6,000 mm outer to outer)

REAR OUTRIGGERS

Hydraulically operated jacks

Width ----- 2,250 mm center to center
 (2,400 mm outer to outer)

HYDRAULIC SYSTEM

Hydraulic pump ----- Tandem gear pump

Hydraulic motors ----- Axial piston type for winch and slewing

Control valves ----- Multiple control valves with integral safety valves

Oil tank capacity ----- approx. 130 liters

SAFETY DEVICES

AML(Automatic Moment Limiter)

Load indication

Load moment ratio to rated load indication

Warning alarm

Over load limiter (stop)

Limit warning lamp

Outrigger length detector

Outrigger asymmetric extension width control

WHL(Working Height Limiter)

Emergency stop switch

Anti-two-block device

Hook safety latch

Hydraulic safety valves, check valves and holding valves

Boom angle indicator

Level gauge

OPTIONAL EQUIPMENT

Hook block - 15,000kg capacity(110kg) and boom point additional sheave

(Hook block:5 sheaves, swivel type hook with safety latch)

Limit warning lamp (three-color)

CRANE MASS

Approx. 5,200 kg

(include rear outrigger, hydraulic oil tank and hydraulic oil except mounting parts)

NOTE : Operating speeds of the crane are guaranteed under the condition that the pump delivery is 85 L / min.

RATED LIFTING CAPACITIES (×1,000 kg)

< over-side , over-rear area > (over-front area : 25% of empty chassis rated lifting capacity)

5.30 m BOOM									
LOAD RADIUS(m)			2.0 and below	2.5	3.0	3.5	4.0	4.5	4.87
CRANE STRENGTH			15.00	12.00	10.00	8.75	7.50	6.60	6.10
EMPTY CHASSIS	Extension width of outriggers	Max.	15.00	12.00	10.00	8.75	7.50	6.60	6.10
		Mid.	15.00	12.00	10.00	7.20	5.40	4.25	3.60
		Min.	8.00	5.00	3.50	2.65	2.05	1.60	1.35

8.60 m BOOM										
LOAD RADIUS(m)			3.0 and below	3.5	4.0	4.5	5.0	6.0	7.0	8.17
CRANE STRENGTH			6.00	6.00	5.50	5.00	4.70	4.30	4.00	3.55
EMPTY CHASSIS	Extension width of outriggers	Max.	6.00	6.00	5.50	5.00	4.70	4.30	3.15	2.25
		Mid.	6.00	6.00	5.25	4.15	3.35	2.35	1.70	1.20
		Min.	3.40	2.50	1.90	1.50	1.20	0.75	0.40	0.15

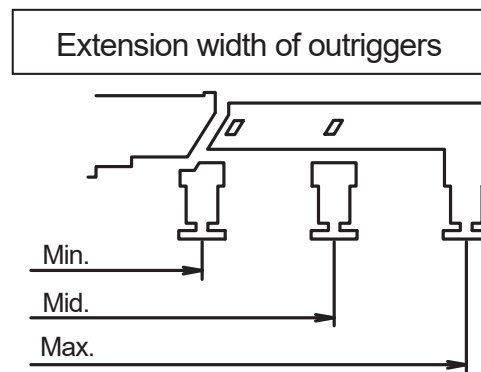
11.90 m BOOM												
LOAD RADIUS(m)			3.5 and below	4.0	4.5	5.0	6.0	7.0	8.0	9.0	10.0	11.47
CRANE STRENGTH			4.10	4.10	4.10	3.90	3.50	3.20	3.00	2.80	2.60	2.30
EMPTY CHASSIS	Extension width of outriggers	Max.	4.10	4.10	4.10	3.90	3.50	3.15	2.35	1.90	1.55	1.15
		Mid.	4.10	4.10	4.10	3.35	2.35	1.70	1.30	1.00	0.75	0.45
		Min.	2.50	1.90	1.50	1.20	0.75	0.40	0.20	0.15	-	-

15.20 m BOOM															
LOAD RADIUS(m)			4.0 and below	4.5	5.0	6.0	7.0	8.0	9.0	10.0	11.0	12.0	13.0	14.0	14.77
CRANE STRENGTH			4.00	3.80	3.60	3.30	3.00	2.80	2.60	2.40	2.20	2.00	1.85	1.75	1.65
EMPTY CHASSIS	Extension width of outriggers	Max.	4.00	3.80	3.60	3.30	3.00	2.35	1.90	1.55	1.30	1.10	0.95	0.80	0.70
		Mid.	4.00	3.80	3.35	2.35	1.70	1.30	1.00	0.75	0.55	0.45	0.35	0.25	0.22

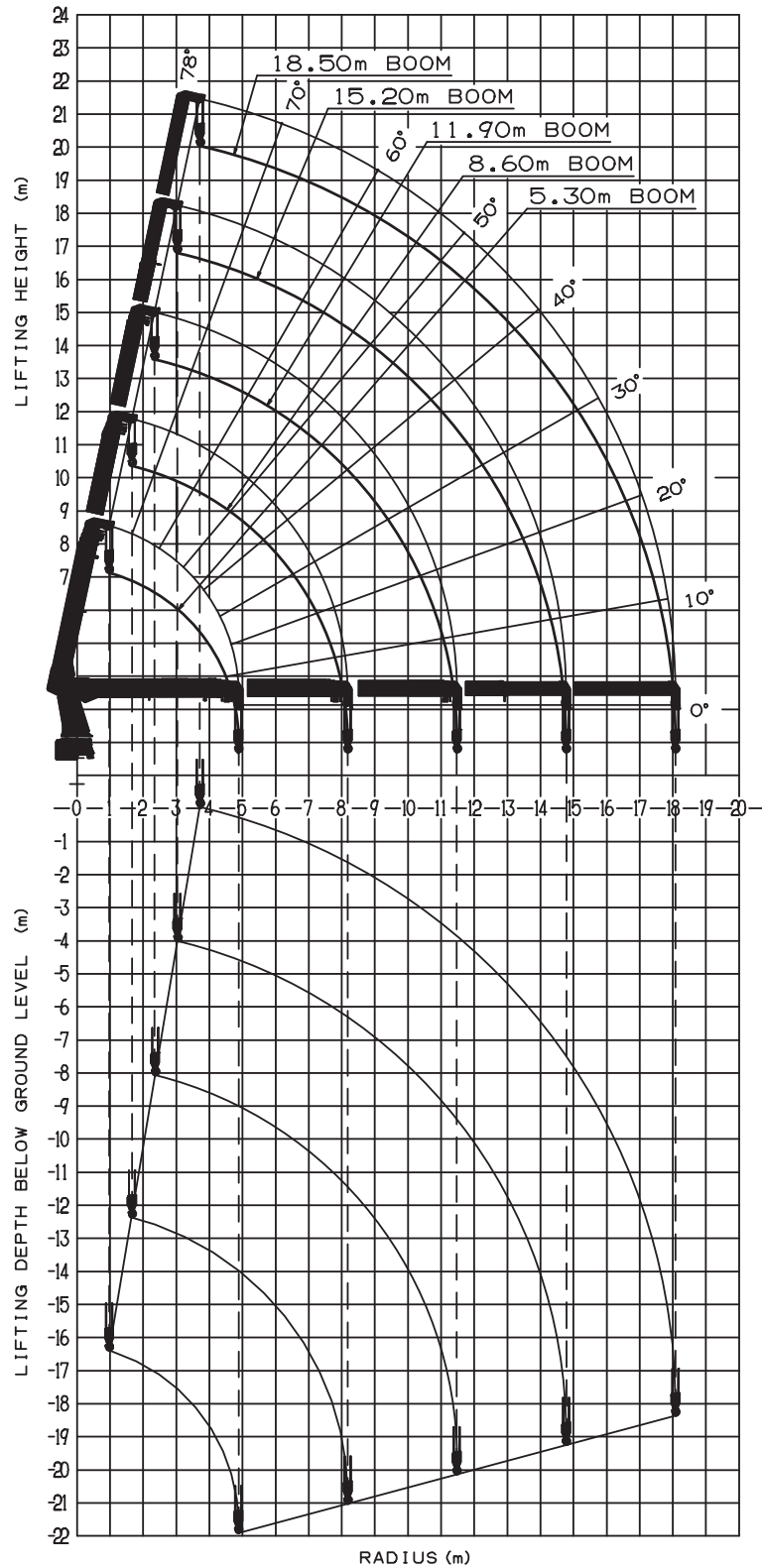
18.50 m BOOM																
LOAD RADIUS(m)			5.0 and below	6.0	7.0	8.0	9.0	10.0	11.0	12.0	13.0	14.0	15.0	16.0	17.0	18.07
CRANE STRENGTH			3.45	3.20	2.90	2.70	2.50	2.30	2.10	1.90	1.70	1.55	1.45	1.35	1.25	1.20
EMPTY CHASSIS	Extension width of outriggers	Max.	3.45	3.20	2.90	2.35	1.90	1.55	1.30	1.10	0.95	0.80	0.70	0.60	0.50	0.45
		Mid.	3.35	2.35	1.70	1.30	1.00	0.75	0.55	0.45	0.35	0.25	0.22	0.20	0.18	0.15

- NOTES :
1. When the working state approaches the stability limit or the strength limit, warns with the limit warning lamp and the buzzer. When the working state reaches the limit, the buzzer continues to sound.
 2. When the operation exceeding the rated lifting capacity is performed, the operation stops automatically.
 3. Set up the outriggers and make the front wheels in slight contact with the ground.
(If the tire deformation is large, AML may operate early.)
 4. This value have been calculated on the basis of ISO 15442.
 5. This value includes the mass of lifting devices such as hook block (110 kg).
 6. This load radius shows actual load radius which includes boom deflection.
 7. Rated lifting capacity is in consideration of the loading on the truck bed, and is within the range from the empty chassis rated lifting capacity to the crane strength rated lifting capacity.
 8. If the boom length exceeds the table value even a little, the performance is limited to the performance of the next boom length.
 9. If an operation that exceeds 6,000 kg is performed, change the number of parts of line. If an operation that exceeds 9,000 kg is performed, change the hook block also to the optional 15,000 kg hook block. For details, refer to the operation manual.

Number of part line	4	6	10
Maximum of load	6,000 kg	9,000 kg	15,000 kg

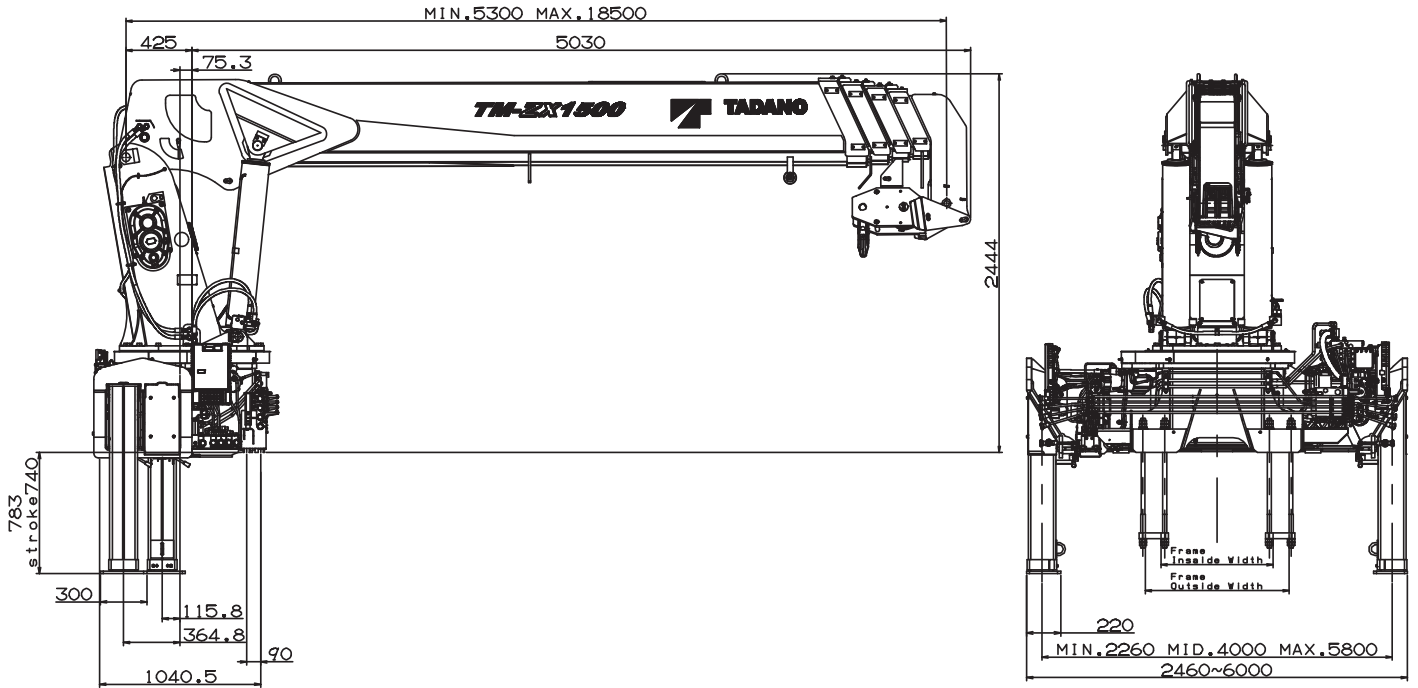


WORKING RANGE (4 part line)

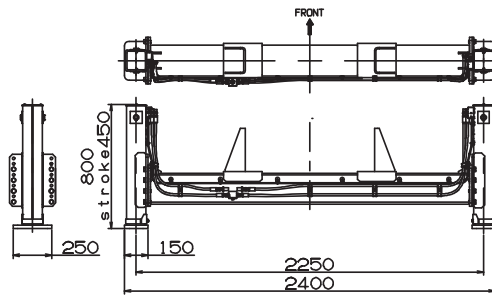


NOTE: The above lifting heights and boom angles are based on a straight (unladen) boom, and allowance should be made for boom deflection obtained under laden conditions.

DIMENSIONS



REAR OUTRIGGER



GENERAL DATA FOR SUITABLE TRUCKS

Gross vehicle weight (including crane mass)	25,000 kg min.
Front vehicle weight (excluding crane mass)	3,000 kg min.
Wheel base	5,250 mm min. (*1)
Section modulus	2,555 cm ³ min. (*2)
P.T.O. torque	255 N·m {26 kgf·m} min.
P.T.O. revolution	Approx. 1,200 min ⁻¹ {rpm} max.
Width for crane mounting	Approx. 1,350 mm min.
Frame	Weight distribution and frame strength should be calculated for each truck
Frame width range (inside to outside)	Approx. 520 to 1,010 mm
Frame height (ground to frame top)	Approx. 1,400 mm max. (Height of crane mounting base can be changed by crane bases)

*1 From the center of the front axle to the center of 2 rear axles .

*2 Section modulus of chassis frame/sub-frame combination (total of both sides) .

The chassis frame material must meet the following conditions at the crane mounting location.

- Yield point : 392 N/mm²
- Tensile strength : 540 N/mm²

